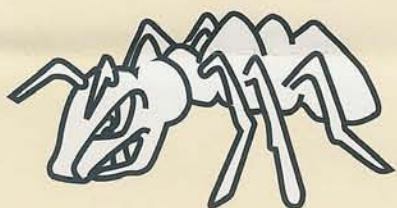


*made by
Tobroco machines*

- Ranging from 86 cm in width
- Axial flow pump
- Oil cooler
- 22 - 45 hp
- 3 and 4 cylinder Kubota engines
- Planetary axles available
- Quick attach hook system
- All attachments available

GIANT Articulated loaders





GIANT Articulated loaders

Due to the special design, exceptional manoeuvrability, tremendous lifting capacity and the vehicles low weight, **GIANT** articulated loaders can be considered powerful machines of some stature. Add to this the flexibility and easy operation by means of a single lever joystick and you can see why these machines are a must for today's professionals.

GIANT Articulated loaders can be deployed efficiently in a variety of sectors, such as:

- Agriculture
- Gardening
- Paving/cobbling
- Construction and demolition
- Ground Workers
- Road works
- Industry

Specific characteristics of **GIANT** Articulated loaders include:

- Single lever joystick control
- Adjustable steering column
- Low vehicle weight
- High lifting capacity
- Continuously variable speed via axial flow plunger pump
- Permanent hydrostatic four-wheel drive
- Steering mechanism with hydraulic articulated-pendulum steering
- Machine width range from 85 cm

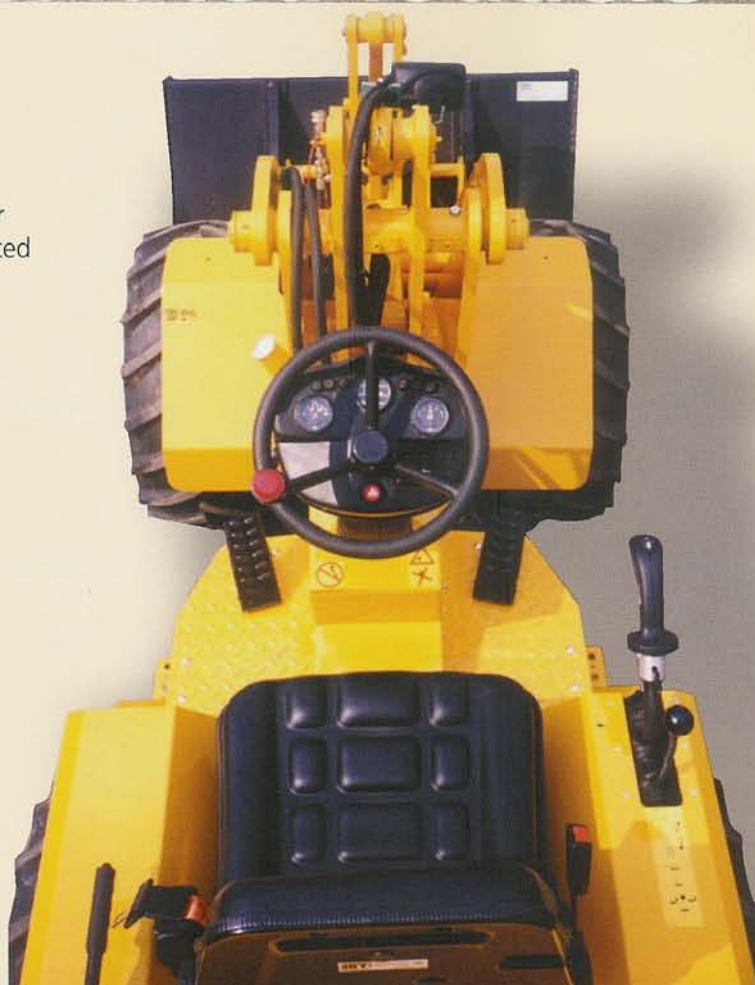




GIANT Articulated loaders

Various attachments available:

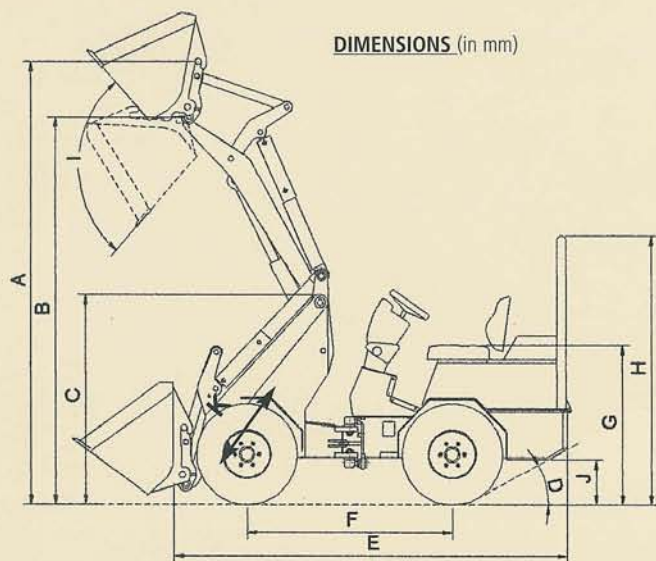
- Volume bucket
- Earth bucket
- Rubble bucket with or without supplementary plate
- Pallet fork
- Street cleaning machine
- Stone gripper
- Tyre gripper
- Vacuum unit
- Ground drill
- Demolition hammer
- Various other adapted attachments



GIANT ARTICULATED LOADERS Technical specifications:

TYPE	D241S	D261 S	D261	V361	V451 T
Engine	Kubota D905-E diesel 3 cyl. 22 hp water-cooled cylinder capacity: 900 cc	Kubota D1105-E diesel 3 cyl. 26 hp water-cooled cylinder capacity: 1123 cc	Kubota D1105-E diesel 3 cyl. 26 hp water-cooled cylinder capacity: 1123 cc	Kubota V1505-E diesel 4 cyl. 36 hp water-cooled cylinder capacity: 1498 cc	Kubota V1505-TE turbo-diesel 4 cyl. 45 hp water-cooled cylinder capacity: 1498 cc
Drive	Hydrostatic 4-wheel drive with axial flow plunger pump	Hydrostatic 4-wheel drive with automotive control	Hydrostatic 4-wheel drive with automotive control	Hydrostatic 4-wheel drive with automotive control	Hydrostatic 4-wheel drive with automotive control
Driving hydraulics	Amount: 60 l/min Operating pressure: 280 bar	Amount: 84 l/min Operating pressure: 250 bar	Amount: 84 l/min Operating pressure: 350 bar	Amount: 102 l/min Option: Planetary final drive with 2 gears (20km/h) Operating pressure: 350 bar	Amount: 102 l/min Planetary final drive with 2 gears Operating pressure: 350 bar
Working hydraulics	Amount: 33 l/min Operating pressure: 180 bar	Amount: 33 l/min Operating pressure: 180 bar	Amount: 45 l/min Operating pressure: 180 bar	Amount: 45 l/min Operating pressure: 180 bar	Amount: 45 l/min Operating pressure: 180 bar
Steering mechanism	Hydraulic articulated-pendulum steering	Hydraulic articulated-pendulum steering	Hydraulic articulated-pendulum steering	Hydraulic articulated-pendulum steering	Hydraulic articulated-pendulum steering
Quick change	Mechanically by means of 2 pins with hook system	Hydraulic quick change with hook system	Hydraulic quick change with hook system	Hydraulic quick change with hook system	Hydraulic quick change with hook system
Width with standard tyres	86 cm	86 cm	104 cm	104 cm	115 cm
Tyres	Standard: 7.00x12 AS Alternative: 26-12.00x12	Standard: 7.00x12 AS Alternative: 26-12.00x12	Standard: 10.0/75-15.3 AS Alternative1: 11.5/80x15,3 AS Alternative2: 31-15.50x15 AS	Standard : 10.0/75-15.3 AS Alternative1: 11.5/80x15.3 AS Alternative2: 31-15.50x15 AS Alternative3: 15.0/55x17 AS	Standard: 11.5/80x15.3 AS Altern. 1: 15.0/55x17 AS Altern. 2: 31-15.50x15 AS
Weight	1200 kg	1300 kg	1760 kg	1825 kg	1900 kg
Speed	0 - 9 km/h	0 - 12 km/h Alternative: 0-18 km/h	0 - 12 km/h Alternative: 0 - 16 km/h	0 - 16 km/h	0 - 22 km/h
Lifting capacity	750 kg	800 kg	1450 kg	1650 kg	1700 kg
Tipping load straight	900 kg	950 kg	1350 kg	1400 kg	1480 kg
Tipping load articulated at 45%	500 kg	550 kg	800 kg	850 kg	900 kg
Electrical installation	12V / 45 Ah	12V / 45 Ah	12V / 66 Ah	12V / 75 Ah	12V / 75 Ah
Tank capacity	Diesel: 26 ltr Hydraulic oil: 26 ltr	Diesel: 26 ltr Hydraulic oil: 26 ltr	Diesel: 37 ltr Hydraulic oil: 50 ltr	Diesel: 37 ltr Hydraulic oil: 50 ltr	Diesel: 37 ltr Hydraulic oil: 50 ltr

Subject to change



Type	D241S/D261S	D261/V361/V451T	Type	D241S/D261S	D261/V361/V451T
A	2928	3288	G	1052	1160
B	2560	2920	H	1779	1900
C	1388	1486	I	98°	86°
D	28°	27°	J	300	334
E	2619	3153	K	Max. ø 670	Max. ø 875
F	1367	1590			

Manufacturer:

Tobroco machines

Nedervonder 13
5061 JP Oisterwijk Holland
Phone: ++ 31 13-521 1212
Phone: ++ 31 41-162 1891
Fax: ++ 31 13-523 4045
www.tobroco.nl
Email: info@tobroco.nl

UK Importer:

AWL Ltd.
East Lane, Stainforth
Doncaster
South Yorkshire
DN7 5HF
Phone: 01302-352218
Fax: 01302-888420