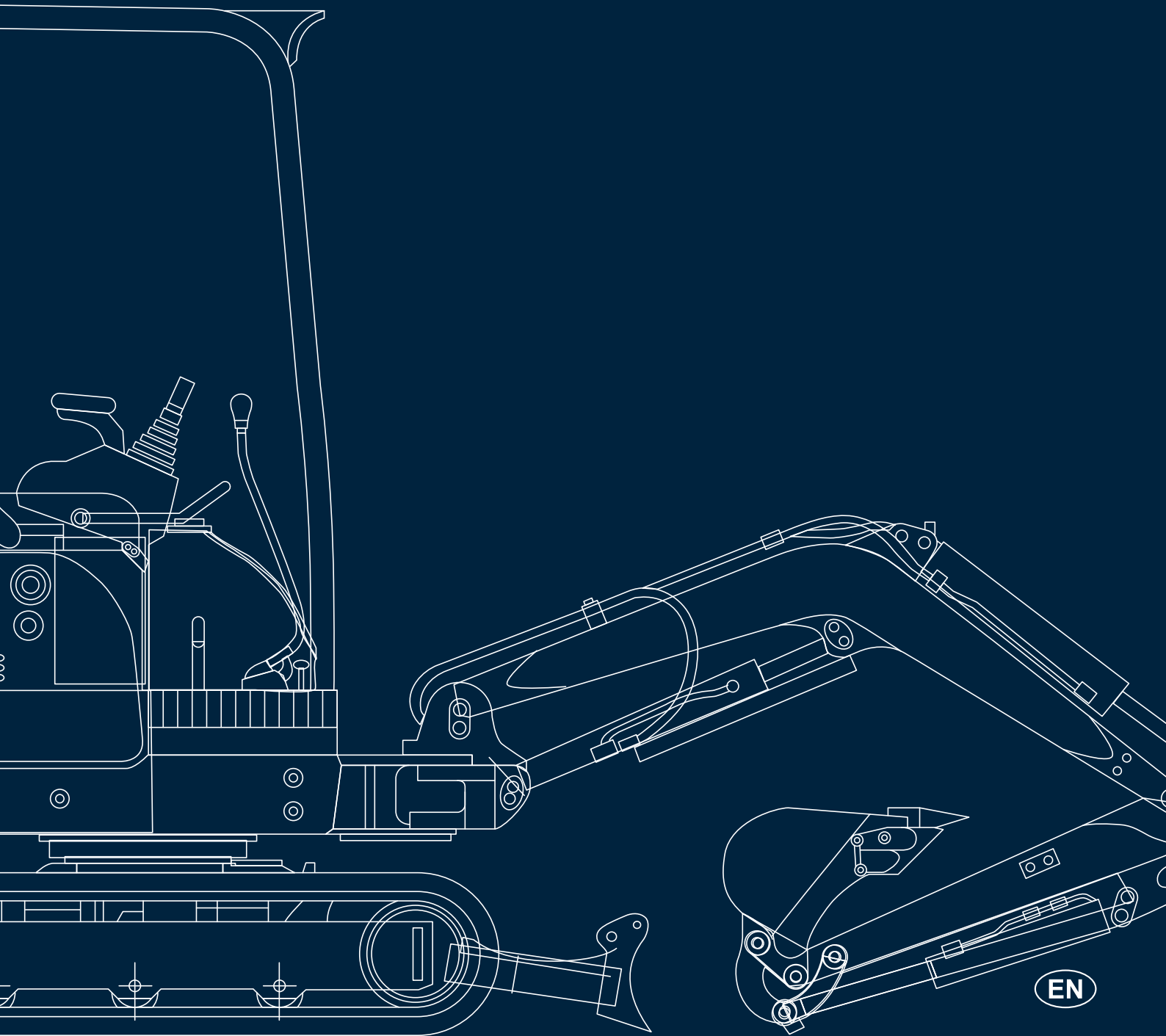


**KATO IMER**

THINK GLOBAL, ACT LOCAL

19 VXT  
1,9 TONS



EN

# 19VXT

## VARIABLE GAUGE UNDERCARRIAGE

Ideal for operating in rough and narrow places, thanks to the expandable undercarriage (from 980 to 1300 mm) operated by an electric control located on the blade control lever, it offers high operating stability and versatility.

With an operating weight of 1745 kg, the 19VXT is the top machine in its category.



## DIGGING AREA

The 17VXT and 19VXT models offer optimum 360° visibility, both for the version with canopy and that with cab, thanks to large windows. Two adjustable front work lights, protected to prevent accidental breakage, allow the operator to make use of optimum lighting of the work area. The arm geometries offer excellent digging performance down to a depth of 2460 mm.

## AUXILIARY SYSTEM

The VXT series is equipped with an auxiliary hydraulic circuit for the use of accessories, with prearrangement of the system up to the foremost arm in the 17VXT and 19VXT.

A deviator valve selects single - or double - action operation.



## HIGH COMFORT FOR THE OPERATOR

The work station is comfortable thanks to the adjustable sprung seat, ergonomic controls and servo-assisted joy-sticks that ensure maximum precision. The machines can be fitted with cabs with radio, openable front window, windscreen wiper, heater and rear glove box that ensure a high quality standard. If the driving position is abandoned, a system inhibits all operation functions concerning the first arm, foremost arm, bucket, upper frame rotation and travel.



## AVAILABLE IN CAB VERSION

Featuring an innovative and refined design, the cabs of VXT series mini-excavators ensure maximum protection for the operator. Both the cab and the canopy (with 4 uprights) comply with international standards: TOPS (side tipping protection), ROPS (rollover protection) and FOPS (protection against objects falling from above). The harmonious shapes of the cabs and the ample windows are designed to offer comfort and optimum operating visibility.



## TECHNICAL DATA

Engine	Yanmar 3TNV70
N° cylinders/displacement	3 / 854 cc direct injection
Rated power	10.5 kW / 2300 rpm
Machine weight with rubber shoe	1670 / 1830 kg (canopy / cab)
Operating weight	1745 / 1905 kg (canopy / cab)
Max. digging depth	2460 mm
Front turning radius	1663 mm
Bucket digging force	1600 kgf
Standard bucket width	400 mm
Standard bucket capacity	0.044 m <sup>3</sup>

## 17VXT

## 19VXT

## 27V4

0.044 m <sup>3</sup>	0.044 m <sup>3</sup>	0.064 m <sup>3</sup>
400 mm	400 mm	500mm
1655 / 1815 kg	1670 / 1830 kg	2560 / 2730 kg
1730 / 1890 kg	1745 / 1905 kg	2635 / 2805 kg
3590 x 980 x 2345 mm	3665 x 980 x 2340 mm	4000 x 1550 x 2460 mm
30°	30°	30°
26.3 kPa (0.27 kgf / cm <sup>2</sup> ) / 27.8 kPa (0.29 kgf / cm <sup>2</sup> )	26.6 kPa (0.27 kgf / cm <sup>2</sup> ) / 28.3 kPa (0.29 kgf / cm <sup>2</sup> )	31 kPa (0.32 kgf / cm <sup>2</sup> ) / 32.3 kPa (0.33 kgf / cm <sup>2</sup> )
220 mm	380 mm	300 mm
Yanmar 3TNV70	Yanmar 3TNV70	SHIBAURA S773-C
3 / 854 cc direct injection	3 / 854 cc direct injection	3 / 1131 cc
70 x 74 mm	70 x 74 mm	77 x 81 mm
10.5 kW / 2300 rpm	10.5 kW / 2300 rpm	13.6 kW / 2400 rpm
279 g / kWh	279 g / kWh	280 g / kWh
3.8 L (Maximum level)	3.8 L (Maximum level)	4.2 L (Maximum level)
12 V	12 V	12 V
12 V - 45 Ah	12 V - 45 Ah	12 V - 60 Ah
12 V - 20 A	12 V - 20 A	12 V - 40 A
12 V - 1.1 kW	12 V - 1.1 kW	12 V - 2.0 kW
17.2 x 2 + 12 L / min	17.2 x 2 + 12 L / min	28.8 L / min x 2 + 19.2 L / min
20.6 MPa (210 kgf / cm <sup>2</sup> )	20.6 MPa (210 kgf / cm <sup>2</sup> )	21.6 MPa (220 kgf / cm <sup>2</sup> )
hydraulic remote control	hydraulic remote control	hydraulic remote control
29.2 L / min	29.2 L / min	48.0 L / min
20.6 MPa	20.6 MPa	21.6 MPa (220 kgf / cm <sup>2</sup> )
rod fully extended	rod fully extended	rod fully extended
-	-	rod fully extended
9.4 min <sup>-1</sup>	9.4 min <sup>-1</sup>	9 min <sup>-1</sup>
automatic multi-disc brake	automatic multi-disc brake	automatic multi-disc brake
15.7 kN (1600 kgf)	15.7 kN (1600 kgf)	21.0 kN (2140 kgf)
10.3 kN (1050 kgf)	9.4 kN (950 kgf)	14.0 kN (1430 kgf)
1570 mm	1570 mm	1900 mm
-	980 / 1300 mm	-
230 mm	230 mm	250 mm
3	3	3/1
tension spring and grease cylinder	tension spring and grease cylinder	tension spring and grease cylinder
980 mm x 235 mm	980-1300 mm x 235	1550 mm x 380 mm
220 mm	220 mm	355 mm
340 mm	340 mm	410 mm
2.1 / 4.1 km / h	2.1 / 4.1 km / h	2.5 / 4.4 km / h
20 L	20 L	42 L
19 L	19 L	33 L
23 L	23 L	50 L
3.6 L	3.6 L	4.4 L
80°	80°	80°
55°	55°	50°
92 dB	92 dB	93 dB

