

MANISCOPIC


MT 1440
SLT & SLT ULTRA




- Maximum lifting height : 13.60 m
- Capacity : 4000 kg
- Maximum forward reach : 9.80 m
- Torque convertor
- Hydraulic stabilizers
- Frame levelling


 **MANITOU**


MT 1440 SLT/SLT ULTRA


 **Lifting capacity**4000 kg
 at 500 mm from forks heels.
 Tipping load at maximum reach1460 kg
 Tear out force with bucket
 to ISO 8313.....7400 daN


 **Lifting height** :13.60 m
Times : unladen / loaded (in s)
 Lifting11.9/12.4
 Lowering8.2/7.7
 Simultaneous extension 1st and 2nd booms...17.4/15
 Simultaneous retraction 1st and 2nd booms...15/14.5
 Time unladen (in s)
 Crowd4.8
 Dump3.9


 **Tyres**
 15.5/80-24


 **Forks** (mm)
 Length.....1200
 Width x thickness.....125 X 50
 Maximum distance between forks.....1040
 Carriage rotation.....124°


 **Multidisc brakes - hydraulically assisted on both axes**

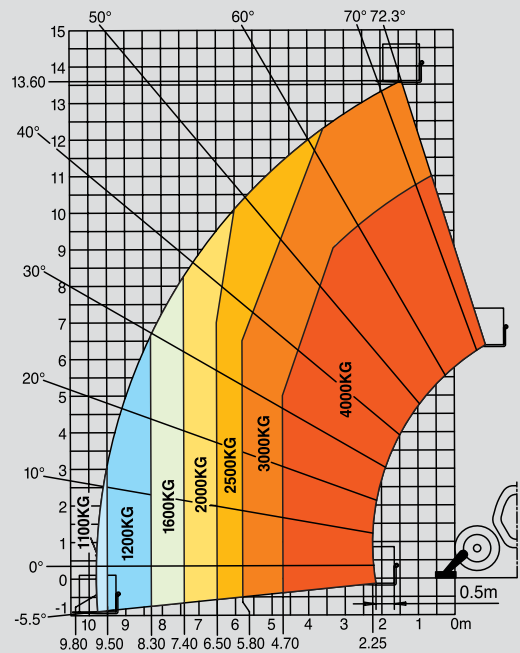
 **PERKINS Engine**
 Type.....1104C.44 Turbo
 Capacity4 cylindres - 4400 cm³
 Power (ISO/TR 14396) :100 HP/74.5 kw
 at 2200 rpm
 Maximum torque412 Nm at 1400 rpm
 Direct Injection
 Water Cooling

 **Transmission**Torque convertor
 Electro-hydraulic reversing shift
 4 speeds forward and reverse
 Maximum travel speed.....25 km/h

 **Hydraulics**
 Lifting/tilting pump
 gear type.....260 bars/163 l/mn
 Flow divider with priority to steering and brakes

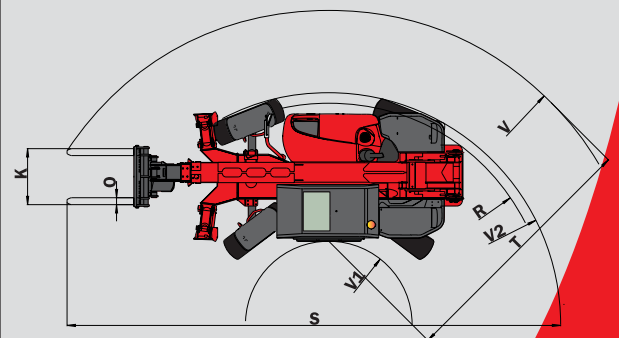
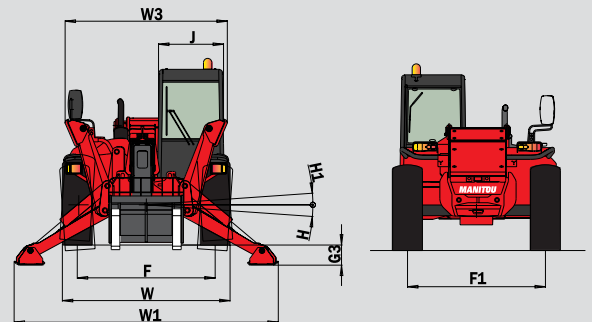
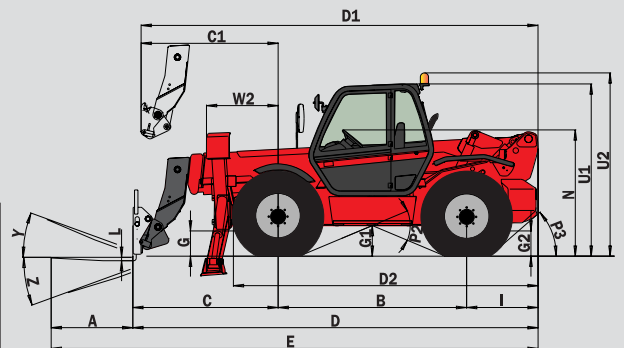
 **Capacities**
 Cooling system18.5 l.
 Engine oil11 l.
 Hydraulic oil126 l.
 Transmission oil15.1 l.
 Fuel tank135 l.

 **Weight unladen** (with forks)11070 kg
Overall width2.40 m
Overall height2.60 m
Turning radius (outside wheels)4.16 m
Overall length6.09 m
Ground clearance0.48 m
Drawbar pull10090 daN



Under
 EN 1459
 annexe B

A	1200
B	2770
C	2224
C1	2348
D	6090
D1	6168
D2	4405
E	7290
F	1990
F1	1990
G	480
G1	475
G2	480
G3	290
H	7°
H1	7°
I	1050
J	950
K	1040
L	50
N	1880/1940
O	125
P2	45,5°
P3	50°
R	3950
S	9010
T	4370
U1	2605
U2	2785
V	5840
V1	1470
V2	4157
W	2405
W1	3820
W2	1050
W3	2350
Y	12°
Z	112°



This equipment described in this leaflet may be standard, optional, or unavailable, depending on the versions. For more details, contact your MANITOU dealer.

